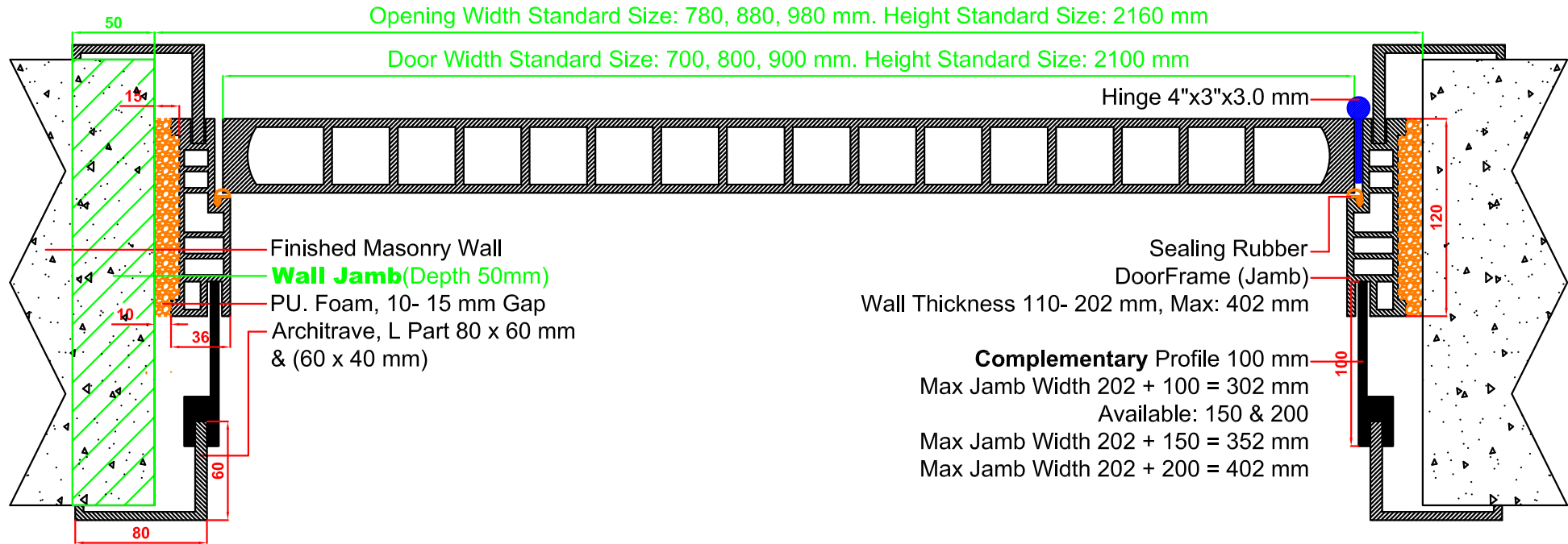


### C.DOOR

WPC FLUSH Door & Classic Frame + Complementary Profile

0 Audit, 97-05-09



Hinge 4"x3"x3.0 mm

Sealing Rubber

DoorFrame (Jamb)

Wall Thickness 110- 202 mm, Max: 402 mm

**Complementary Profile 100 mm**  
 Max Jamb Width 202 + 100 = 302 mm  
 Available: 150 & 200  
 Max Jamb Width 202 + 150 = 352 mm  
 Max Jamb Width 202 + 200 = 402 mm

|   |                              |
|---|------------------------------|
| WPC FLUSH Door & Classic Frame + Complementary Profile<br><b>C.DOOR</b> |                              |
| Audit / Date / # Map:   | 0 Audit / 97-05-09 / #970509 |
| Scale:  | Original DWG $\frac{1}{1}$   |
| Drawing:  | MOSTAFA MOHAMMADI            |
| Confirm:  | MOSTAFA MOHAMMADI            |
| <b>Technical Details:</b>   |                              |
| Wall Thichness:   | 110 - 302 mm                 |
| Complementary Profile:  | 100 / 150 / 200 mm           |
| Architrave Type:  | 80 x 60 mm                   |